

Let's make sailing safer

At Mac N Hom Marine Equipments (P) Ltd., we are focused on range of products that meet the ever increasing demands of Marine based customers in terms of sophistication and diversification. We have brought to market innovative products, one after another to provide only the highest quality goods and services for your requirements and offer customised solutions and challenging applications quickly and cost effectively.

MAC-N-HOM
MARINE EQUIPMENTS (P) LTD.
 Let's make sailing safer



HYDRAULIC STEERING SYSTEMS

Model : CETO
 IRS Type Approved



Model Type : Balanced Actuator (IRS Type Approved)
 Ram Dia : 20 mm Stroke : 260 mm
 Torque : 62.35 Kg.m for a Tiller Arm having Radius 220 mm

For Passenger boats upto 50 Pax Survey Vessels
 Ambulance/Rescue Boats Shikkara Boats

Shikkara Boat, Power Boat Galleria



25 Seater Ferry Boat, Matha Marine



Rescue Boat, Navagathi-Marine & Design Constructions Pvt. Ltd.



Aluminium Boat, Sheba Marine Engineering Pvt. Ltd., Puducherry



Balanced Hydraulic actuator- Model: CETO
 With Swivel Rod Eye to Connect with Tiller Arm

- ▶ More than 100 installations in Passanger Ferries of 50 pax, Rescue Boats, Medium House Boats.
- ▶ Torque Rating of 500Nm (with 180mm Tiller Arm)
- ▶ Heavy Duty Ram size: 20mm
- ▶ Second Thread on other end of Piston Rod for Emergencies.
- ▶ 12 Months Warranty against Manufact. Defects
- ▶ On-Line Installation and Service Support
- ▶ Spares including Seal kits readily available

Package Included

- Manual-Hydraulic Package:**
- ❖ Steering Wheel - Wooden/SS
 - ❖ Helm Pump, Steering Column & Self priming unit
 - ❖ Marine Painted Ferruled Seamless steel Tubes & Hoses
- Hydraulic Actuator-CETO**
- Electro-Hydraulic Package:**
- ❖ Joystick Control Panel
 - ❖ Hydraulic Power pack & Sensors
 - ❖ Emergency Manual-Hydraulic Steering
 - ❖ Marine coated Ferrules Tubes & Hoses
 - ❖ Hydraulic Actuator - **CETO**

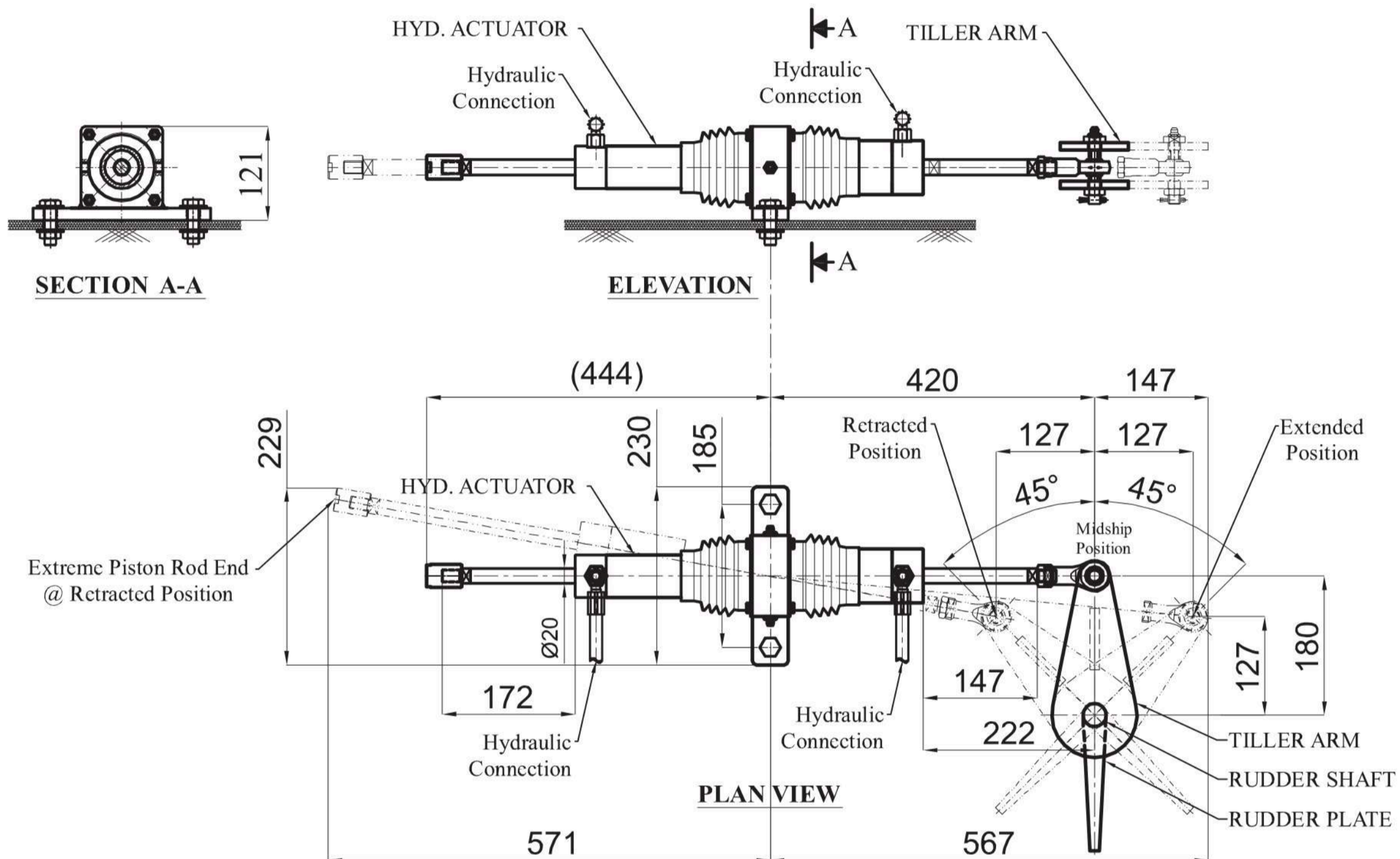
- 1 Joystick Operated Control Panel with audio visual alarms
- 2 Electro Hydraulic Power Pack with Sensors for Electro Hydraulic Package
- 3 Marine Paint Coated, Ferruled Nut ends Seamless Steel Tubes for Smooth Oil Flow
- 4 Emergency Manual Hydraulic version with Helm Pump, Steering Wheel & Self Priming Unit



SPECIFICATIONS

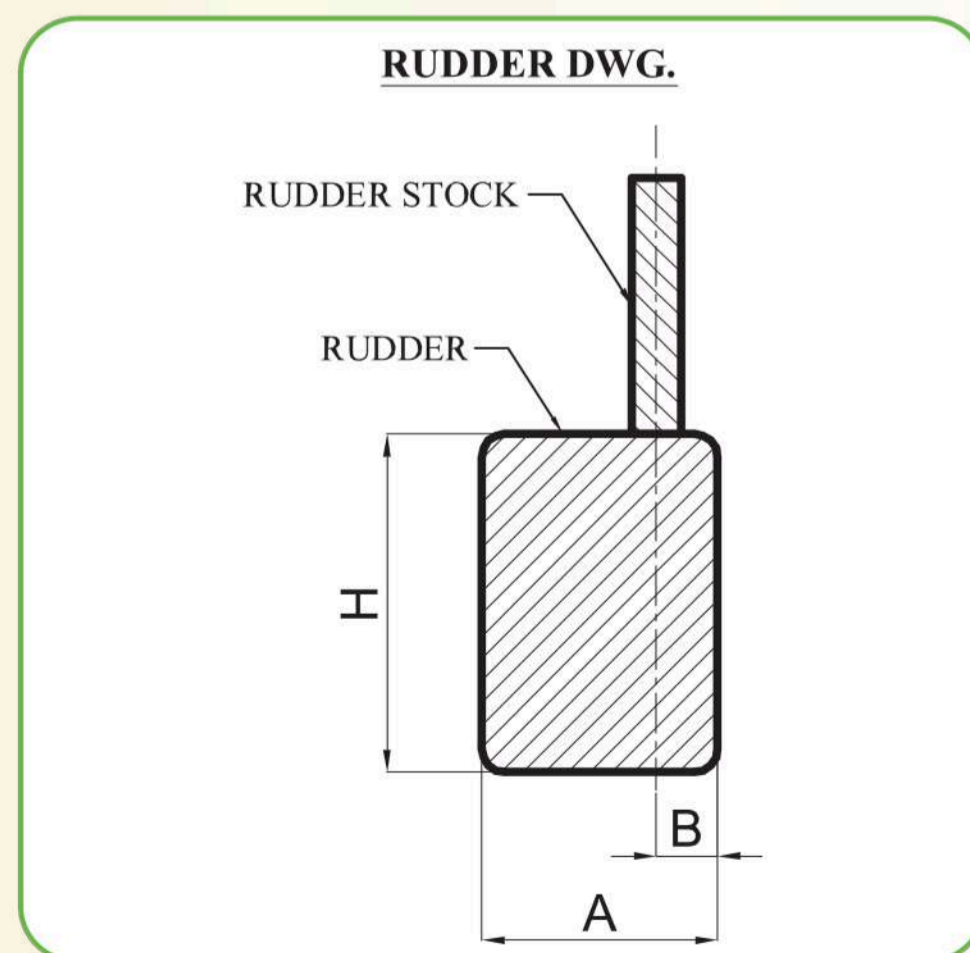
- Actuator Ram Diameter : 20 mm.
- Actuator Stroke : 260 mm.
- Force @ 45 Kg / cm² Hydraulic Pressure : 423.9 Kgf.
- Torque with 180 mm Tiller Arm for ±45° turn from Midship.
(Actuator Pin to Rudder Shaft Centre distance : 180 mm.) : 76.2 Kg.m.
- Torque with 220 mm Tiller Arm for ±35° turn from Midship.
(Actuator Pin to Rudder Shaft Centre distance : 220 mm.) : 93.2 Kg.m.

MOUNTING ARRANGEMENT OF HYD. ACTUATOR CETO - IRS



DATA FOR STEERING SELECTION

VESSEL DETAILS		
Length of the Vessel		Meters
Breadth of Vessel		Meters
Draft of the Vessel		Meters
Hull form (Mono / Catamaran)		
No of Engines		Nos.
Power of each Engine		HP
Speed of Vessel		Knots
RUDDER DETAILS (See Rudder Dwg.)		
Breadth of Rudder A		Meters
Breadth of Semi-balanced Area B		Meters
Height of Rudder H		Meters
Number of Rudders		Nos.
Vessel Regn. Class - No Class / IRS / RINA / DNV / BV		



NOTES : 1. Please fill in this data sheet with your Vessel data, and email to info@macnhomsystems.com OR Whatsapp to +91 90729 00576.
 2. All dimensions are in mm.
 3. Dimensions are reference purpose only; kindly confirm with our Technical Department.